

# Mobile Phone Signal Repeater for Either Telstra, Optus or Vodafone-TPG 3G/4G\*\* (Stationary)

## 56MM-CFG4



The CFG4 is designed to solve cellular coverage issues for indoor environments. This smart signal repeater is the most powerful carrier-grade solution available in the Australian consumer market, providing up to 100dB gain. The CFG4 offers class-leading 3G/4G voice and data performance and boosts up to 40MHz of signal split across two bands simultaneously. The CFG4 offers indoor coverage up to 3000m<sup>2</sup> when properly configured with indoor donor and server antennas.

### Features and Benefits

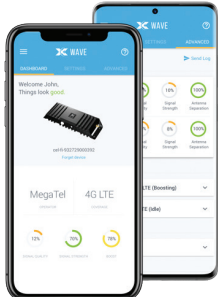
- » Individually compatible with Telstra, Optus and Vodafone-TPG by selecting your preferred provider on setup.
- » Boost up to 40MHz of signal split across two channels to give the best voice and data coverage for your mobile with up to 100dB of dynamic gain
- » Designed for stationary use in buildings and outdoor areas for optimum signal coverage
- » Use with Cel-Fi WAVE applications for mobile phones and tablets plus PC for easy setup
- » Frequency bands: 700L, 850, 900, 1800, 2100 and 2600 MHz. Vodafone does not support band 700H.
- » Plug-and-play with built-in network management via LAN port



\*\* 3G, 4G, VoLTE & NB-IoT (CFG4 has 5G capabilities but is currently not enabled or approved)

# Mobile Phone Signal Repeater for Either Telstra, Optus or Vodafone-TPG 3G/4G\*\* (Stationary)

## 56MM-CFG4

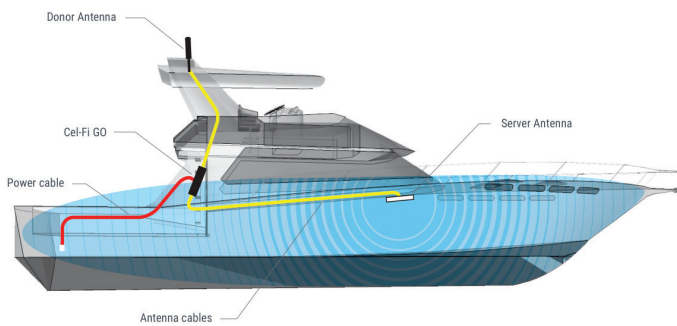
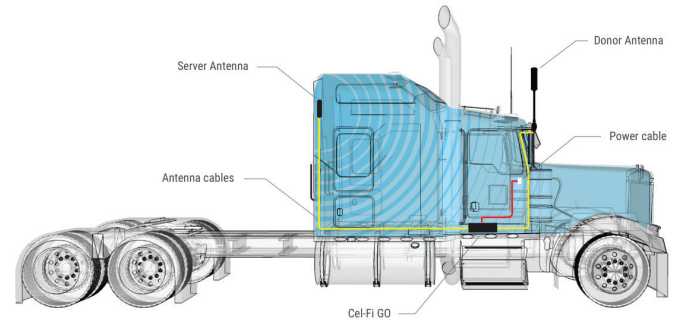
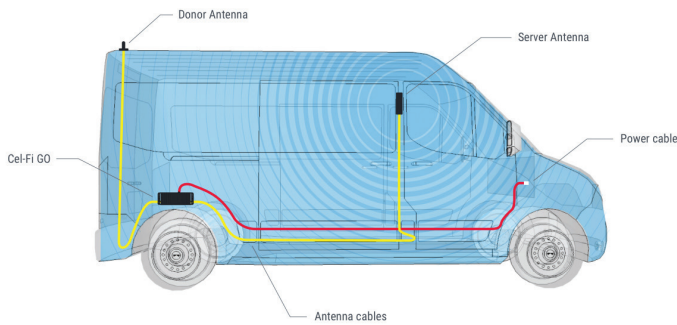


### Cel-Fi Wave App

- Register and setup Cel-Fi Repeaters
- Dashboard information with Boost Strength indicator
- Change settings on repeaters
- Real-time data and metrics to assist to enhance performance
- Free Downloadable App



## Mobile Installation



Typical Mobile Installs