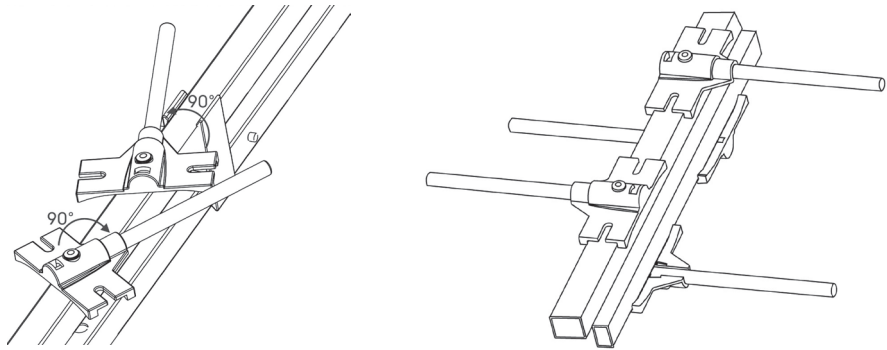


## 01MM-LP03F

### VHF/UHF Ch (6-12)(28-51) Digital Compatible Antenna Installation Instructions

#### Step 1

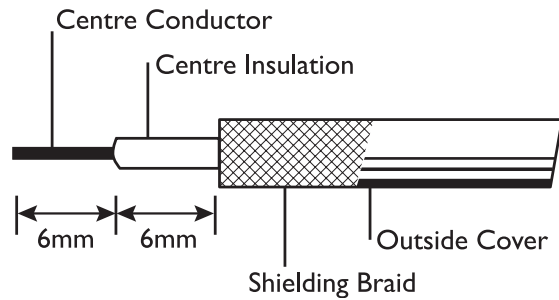
Open elements and snap into place.  
They will be at right angles to the boom.



#### Step 2

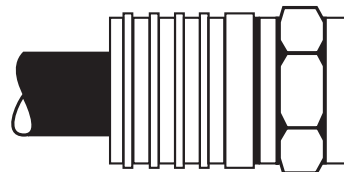
Using the supplied twist on connector, prepare your cable and attach connector.

Strip cable & pull braid and two layers of foil over black jacket as illustrated. Leave bonded foil attached to centre white piece, ensuring all braid strands are pulled away from centre conductor.



#### Step 3

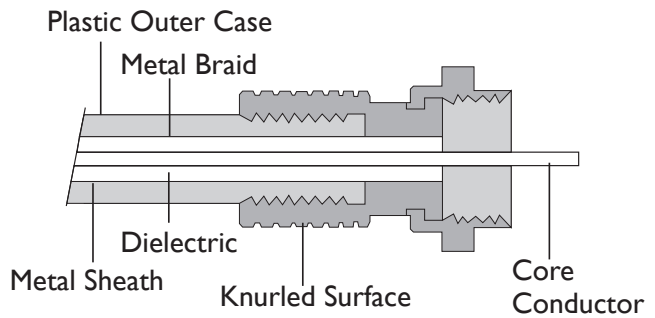
Select connector provided.  
Place "F" connector on and twist to ensure that all braid is flat. (Suitable for RG6 Quadshield. For other cable types you will need to purchase the corresponding connector)



## Step 4

Then insert cable into rear of connector and twist connector clockwise until dielectric is flush with the bottom nut as in diagram.

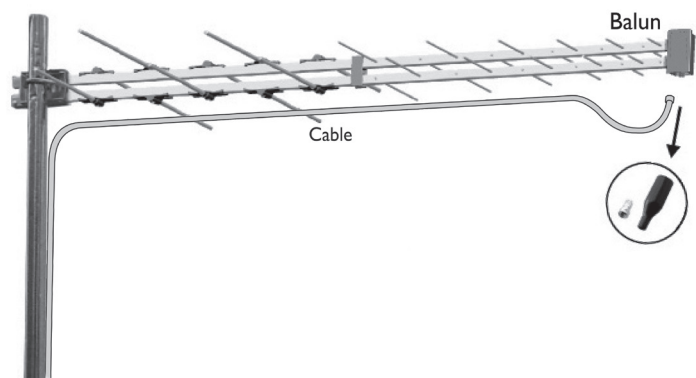
Ensure that 2-3mm of centre core conductor protrudes past the nut.



## Step 5

Slightly bend the cable in a loop and lay it back along the boom and down the mast. Use cable ties to secure the cable to boom and mast to stop it from moving. Ensure there is a downward loop in the cable from the balun and it's not bent at a sharp angle, as this will damage the cable and balun.

Prepare other end of cable ( repeat steps 4 & 5 ). Connect to your outlet plate or TV.



## Step 6

Rotate the antenna so it points towards your local transmitter.

