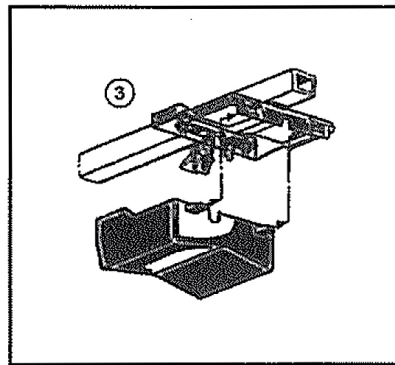
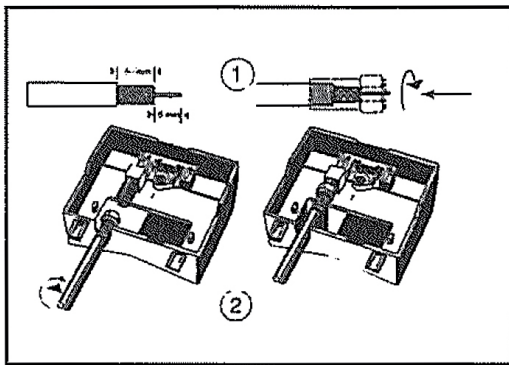
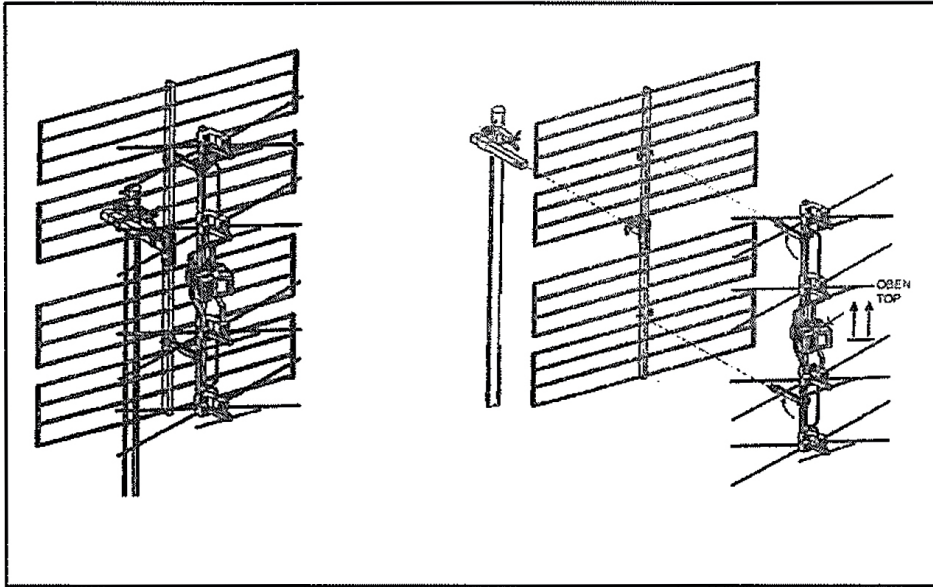




02MM-EE06A

UHF Ch (28-51) Phased Array 'F' Type Digital antenna (2 Pack)



Step 1

Strip the cable according to figure 1 and twist on the 'F' type connector according to picture 2.

Mount the butto part of the housing according to figure 3.
Make sure it snaps in properly.

