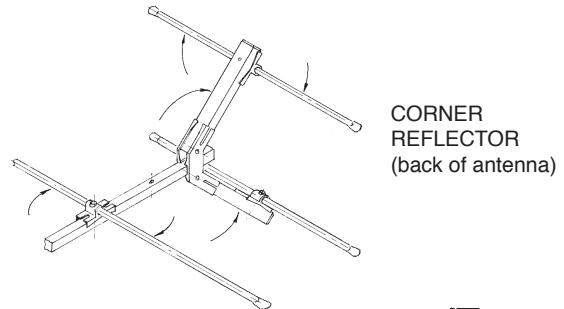
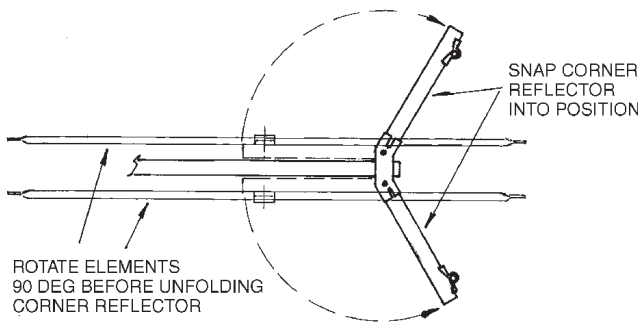


03MM-DR3010

VHF Ch (6-12) TV Antenna Installation Instructions

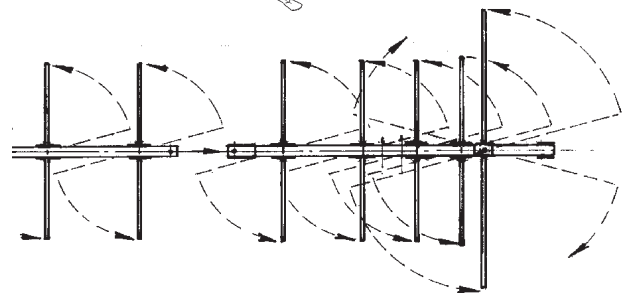
Step 1

Swivel elements on corner reflector 90 degrees from packed position till they 'snap lock'. Then rotate corner reflector booms, (situated on both sides of the main boom), until they snap lock into position as in diagram.



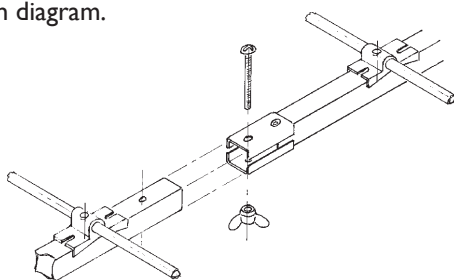
Step 2

Rotate all other elements on both booms to 90 degrees, ensuring elements 'snap lock' into position, as in diagram.



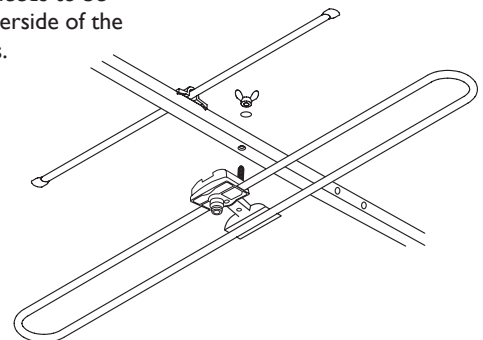
Step 3

Place two sections of antenna together as in diagram.



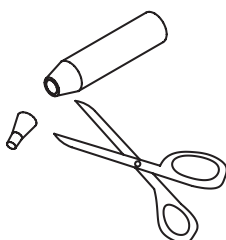
Step 4

The curved dipole needs to be attached to the underside of the boom at 90 degrees.



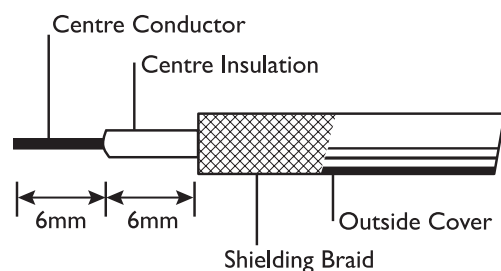
Step 5

Cut the rubber boot seal provided and slide onto stripped cable as in diagram.



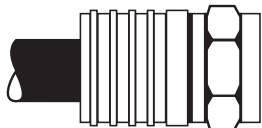
Step 6

Strip coax cable as shown in diagram and feed through rubber boot seal. See diagram.



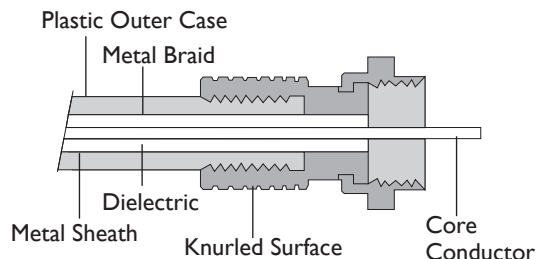
Step 7

Select connector provided.
(Suitable for RG6 or semi airspaced cable)
Place "F" connector on back to front and twist to ensure that all braid is flat. See diagram.
(For other cable types you will need to purchase the corresponding connector)



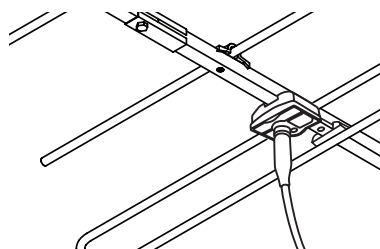
Step 8

Then insert cable into rear of connector and twist connector clockwise until dielectric is flush with the bottom nut as in diagram. Ensure that 2-3mm of centre core conductor protrudes past the nut.



Step 9

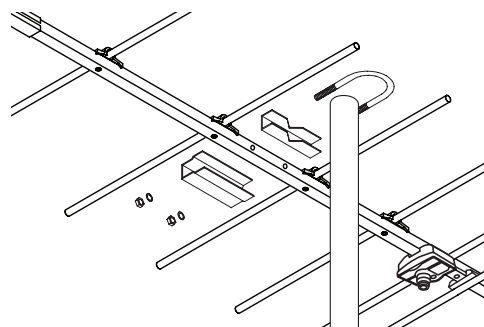
Attach nut of connector to "Female connector" on antenna and tighten finger tight.
WARNING OVER TIGHTENING MAY DAMAGE CIRCUIT BOARD.
Slide boot seal onto balun.



Step 10

Assemble "U" bolt into boom. See diagram.

NB In vertical polarized areas,
you can use a 11MM-SMI-15 mount
(15" vertical stand off boom sold separately).



Step 11

Attach antenna to mast and point to transmitter as per diagram.
Rotate antenna to achieve best results.
Attach cable to mast with UV grade insulation tape or UV grade cable ties to support cable weight and avoid damage to connection from wind whipping cable from side to side.

For digital compatibility terminate cable into suitable "F" type splitters such as 07MM-GM02 or 07MM-GM04 or "F" outlet plates such as 05MM-WP01 or 05MM-WP11.

NB RG6 cable with aluminium foil and aluminium braid is ideal for digital reception.
N.B.2 If close to transmitter use DA-FLY2M Quad shield flylead to avoid interference.

