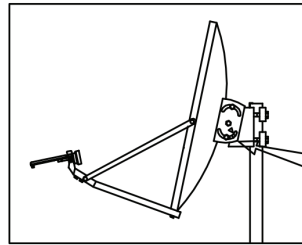
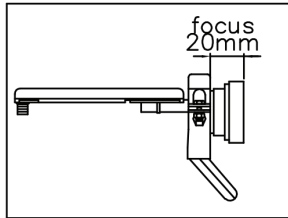
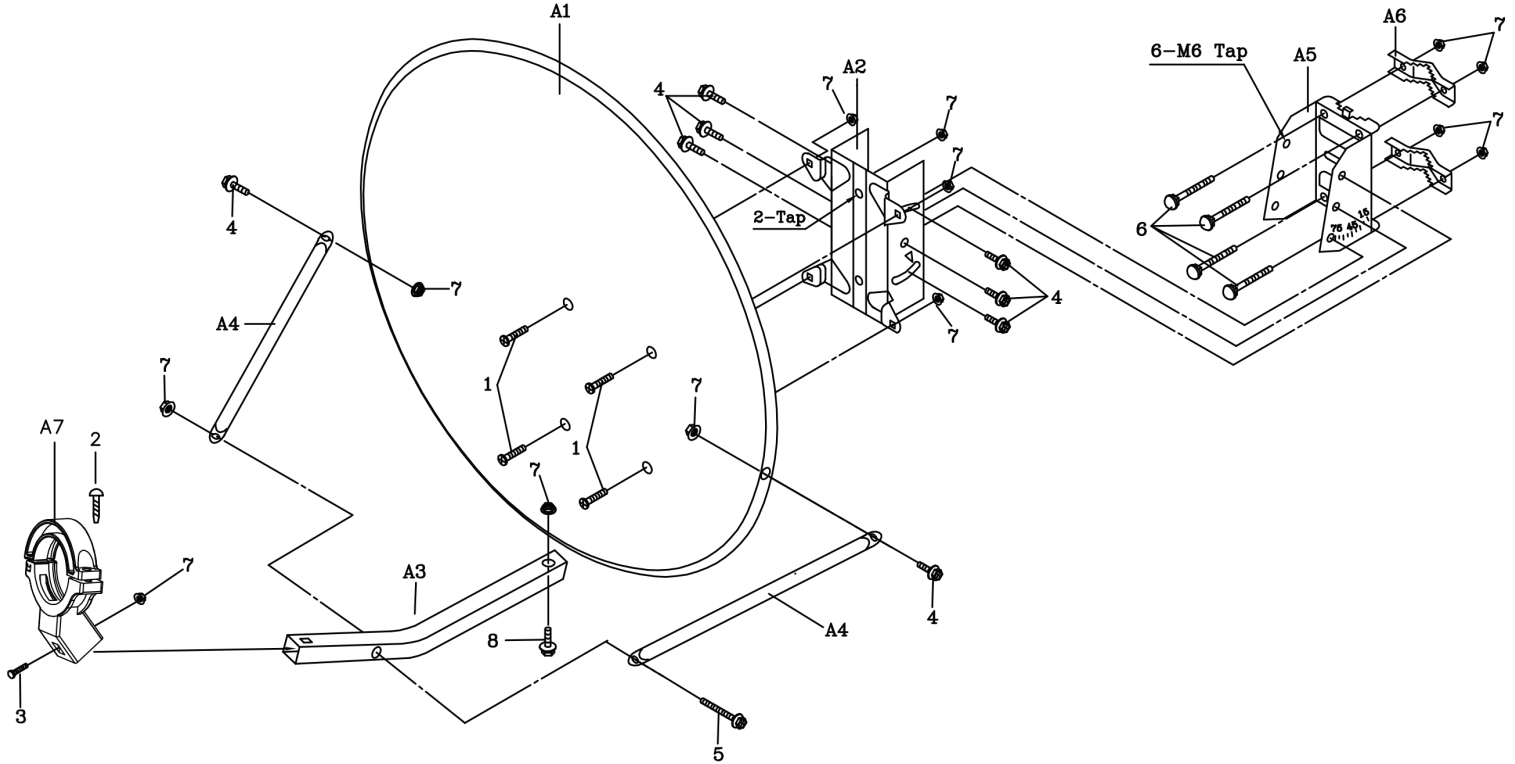




# Matchmaster

*For the Best*

## 13MM-R80P INSTRUCTION MANUAL



A7		A-060N-31A-2020	1
A6		A-065S-10-2G-BS	2
A5		A-065S-04-2G-BS	1
A4		A-080S-19-2G-BS	2
A3		A-080S-08S-2G-BS	1
A2		A-065S-03-2G-BS	1
A1		A-080S-01-2G-BS-07	1
8		M6*25 hex-head cap screw	1
7		M6 hex-head cap screw	13
6		M6*80 square screw	4
5		M6*35 hex-head cap screw	1
4		M6*12 hex-head cap screw	8
3		M6*30 square screw	1
2		M5*15 Self-tapping screw	1
1		M6*12 cross-head cap screw	4
NO.	ITEM	DESCRIPTION	Q'TY